



Desiccant Drying

DRYPOINT® XC

efficient low dew point heatless desiccant drying

Truth in Compressed Air.



DRYPOINT[®] XC Heatless Desiccant Dryers

■ At a Glance

Regenerative desiccant dryers are frequently found in industrial applications around the world. These dryers use a desiccant material, which adsorbs the water vapor in the air stream. Heatless desiccant dryers utilize a small amount of dried air to regenerate the desiccant in one tower while the other tower dries the compressed air. XC Series heatless desiccant dryers provide very low dew points, are designed around reducing energy and process waste, and provide a very user friendly interface.

■ Features and Benefits

+ Innovative & Reliable Design

High quality components are used in construction and combined with high-level engineering

+ Compact Construction

Reduces traditional height by up to 30%

+ Advanced Controller

Each dryer includes a feature rich controller with energy saving modes

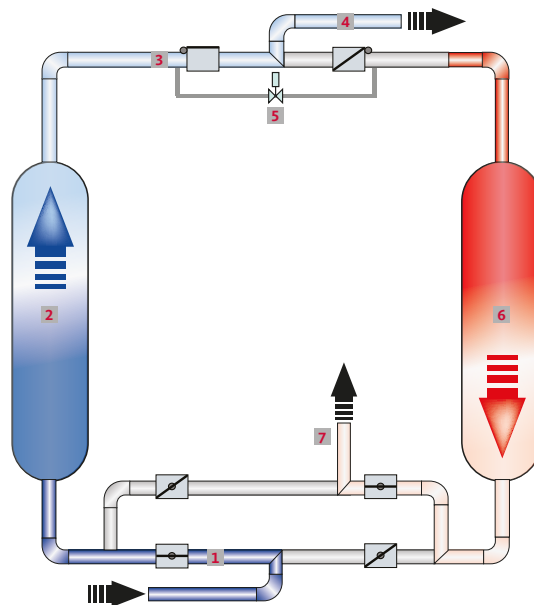
+ Ease of Maintenance

Open frame design where all features are front-mounted, simplifies maintenance and reduces costs

+ Wide Standard Range

Up to 2,800 scfm from 60 to 7,250 psig with fully customized engineered solutions available

■ How it Works

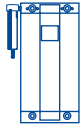


Warm, moisture saturated air enters the dryer through the open inlet valve, a required coalescing pre-filter (not pictured) is installed before entering the drying tower **1**. Air flows upward through the tower **2** where the desiccant extracts and retains water vapor, thereby lowering the dew point, before exiting the top of the tower. The dry air passes through the outlet check valve **3** and passes through the particulate post-filter (not pictured) before exiting the dryer to the air distribution system **4**. A small amount of dry air is diverted from the outlet flow of the drying tower to be used in regenerating the other

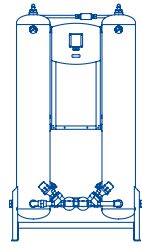
tower. This diverted air is controlled by the adjustable purge valve **5** and exits into the regenerating tower at near atmospheric pressure. This dry air flows downward through the tower **6**, absorbing water from the moisture laden desiccant, before exiting near the bottom of the tower. This moist purge air passes through the purge exhaust valve and is vented to open atmosphere **7** through the muffler. After a set amount of time the air flow through the dryer will reverse, turning the drying tower into the regenerating tower.

DRYPOINT® XC Heatless Desiccant Dryers

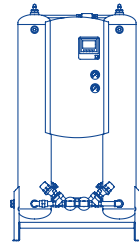
Compare



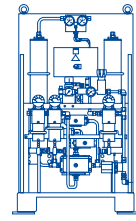
ACC Series
Compact Heatless



XCe Series
Economy Heatless



XcP Series
Premium Heatless



AC HP Series
High Pressure Heatless

Flow Rates

4 - 105 scfm

80 - 800 scfm

80 - 2,800 scfm

35 - 480 scfm

Standard Outlet Pressure Dew Point | Optional

-40 °F | -100 °F

-40 °F | -100 °F

-40 °F | -100 °F

-40 °F | -100 °F

Maximum Operating Pressure

232 psig

150 psig

150 psig

7,250 psig

Average Purge Air

18%

15%

15%

3-7%

Available Options

PC connection software, Wall mounting bracket (ACC 4-35), Cover3More extended warranty

Mounted filters, 3-valve bypass, Cover3More extended warranty

Mounted filters, 3-valve bypass, Outdoor package, Pneumatic controls, Dew point monitor with display, Failure to switch alarm, Webpage with data log, Cover3More extended warranty

Dew point demand control, Shock and vibration damping, Cover3More extended warranty

Product Family



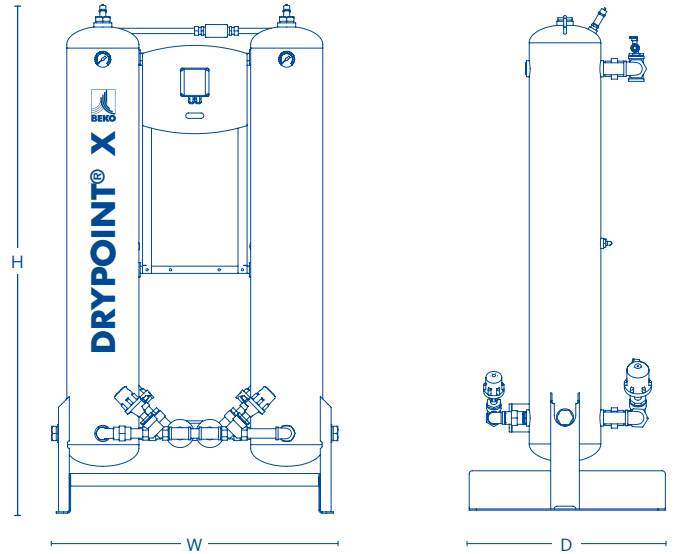
Heatless desiccant air dryers, compact, full size and high pressure models

Technical Details

DRYPOINT® XCe Economy Heatless Desiccant Dryers

with basic controller and slanted seat valves

- › Standard outlet pressure dew point: -40 °F
- › Optional outlet pressure dew point: -100 °F
- › Electrical power supply: 120 - 240 VAC | 50 - 60Hz
- › Required pre-filtration grade SX: .01 µm | Required post-filtration grade FX: 1 µm
- › UL / CSA certified
- › NEMA 4 indoor rated controls
- › ASME / CRN coded vessels
- › Min. / max. inlet air temperature: 40 °F / 120 °F
- › Min. / max. operating pressure: 60 / 150 psig



DRYPOINT® XCe	XCe 80	XCe100	XCe 120	XCe 160	XCe 200	XCe 250
Connection size (NPT)	¾"	1"	1"	1¼"	1½"	1½"
Flow Rate (scfm)	80	100	120	160	200	250
Dimensions and Weight						
H x W x D (inches)	70 x 31 x 22	70 x 34 x 24	70 x 34 x 24	72 x 39 x 27	72 x 39 x 27	75 x 45 x 32
Empty Weight (lbs)	128	203	203	311	311	460
Total Fill (lbs)	107	167	167	262	262	384

DRYPOINT® XCe	XCe 300	XCe 400	XCe 500	XCe 650	XCe 800
Connection size (NPT)	1½"	2"	2"	2½"	2½"
Flow Rate (scfm)	300	400	500	650	800
Dimensions and Weight					
H x W x D (inches)	75 x 45 x 32	77 x 51 x 36	79 x 54 x 38	82 x 62 x 41	81 x 63 x 44
Empty Weight (lbs)	460	649	845	1,074	1,270
Total Fill (lbs)	384	539	715	917	1,114

Correction Factor

Operating Pressure (psig)	60	70	80	90	100	110	120	130	140	150
Correction Factor	.65	.74	.83	.91	1.00	1.12	1.16	1.2	1.25	1.29

Inlet Air Temperature °F	90	95	100	105	110	115	120
Correction Factor	1.07	1.04	1.00	.86	.73	.64	.55

The correction factors on this page provide an estimation of the performance that can be achieved with the model sizes shown. For precise sizing for your application, please contact your BEKO Technologies sales representative.

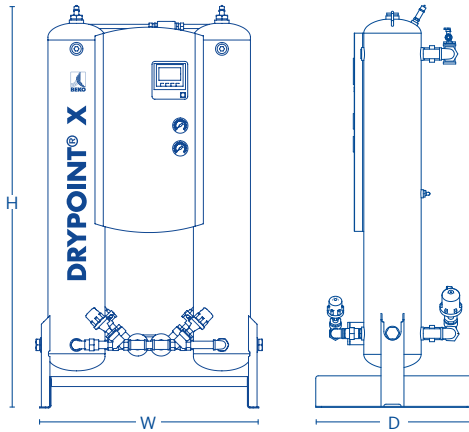
Technical Details

DRYPOINT® XCp Premium Heatless Desiccant Dryers

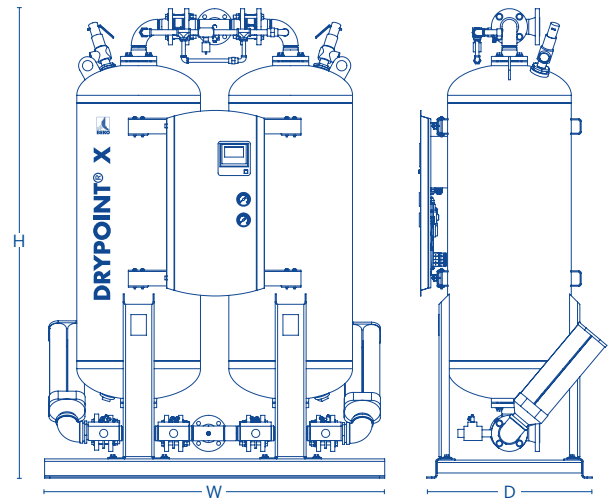
with standard humidity control and BEKOTOUCH PLC

- › Standard outlet pressure dew point: -40 °F
- › Optional outlet pressure dew point: -100 °F
- › Electrical power supply: 120 - 240 VAC | 50 - 60Hz
- › Required pre-filtration grade SX: .01 µm | Required post-filtration grade FX: 1 µm
- › UL / CSA certified
- › NEMA 4 indoor rated controls
- › ASME / CRN coded vessels
- › Min. / max. inlet air temperature: 40 °F / 120 °F
- › Min. / max. operating pressure: 60 / 150 psig

DRYPOINT® XCp 80 - 800



DRYPOINT® XCp 1000 - 2800



DRYPOINT®XCp	XCp 80	XCp 100	XCp 120	XCp 160	XCp 200	XCp 250	XCp 300	XCp 400	XCp 500
Connection Size (NPT)	¾"	1"	1"	1¼"	1¼"	1½"	1½"	2"	2"
Flow Rate (scfm)	80	100	120	160	200	250	300	400	500
Dimensions and Weight									
H x W x D (inches)	70 x 31 x 22	70 x 34 x 24	70 x 34 x 24	72 x 39 x 27	72 x 39 x 27	75 x 45 x 32	75 x 45 x 32	77 x 51 x 36	79 x 54 x 38
Empty Weight (lbs)	153	203	203	311	311	460	460	649	845
Total Fill (lbs)	107	167	167	262	262	384	384	539	715

DRYPOINT®XCp	XCp 650	XCp 800	XCp 1000	XCp 1200	XCp 1500	XCp 1900	XCp 2300	XCp 2800
Connection Size (NPT)	2½"	2½"	2½" Flange	2½" Flange	3" Flange	3" Flange	4" Flange	4" Flange
Flow Rate (scfm)	650	800	1000	1200	1500	1900	2300	2800
Dimensions and Weight								
H x W x D (inches)	82 x 62 x 41	81 x 63 x 44	90 x 66 x 32	91 x 66 x 37	91 x 72 x 44	96 x 72 x 44	103 x 78 x 48	103 x 78 x 48
Empty Weight (lbs)	1,074	1,270	1,490	1,792	2,814	2,814	4,168	4,168
Total Fill (lbs)	917	1,114	1,160	1,400	1,840	2,240	3,260	3,260

Correction Factor

Operating Pressure (psig)	60	70	80	90	100	110	120	130	140	150
Correction Factor	.65	.74	.83	.91	1.00	1.12	1.16	1.2	1.25	1.29

Inlet Air Temperature °F	90	95	100	105	110	115	120
Correction Factor	1.07	1.04	1.00	.86	.73	.64	.55

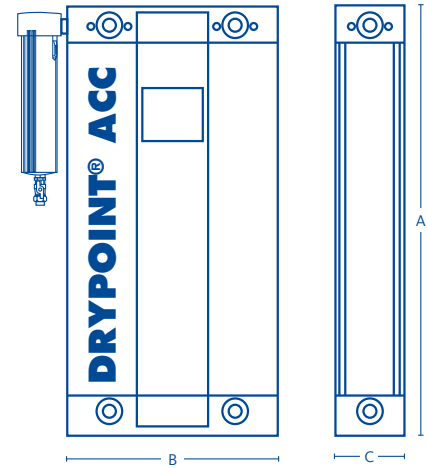
The correction factors on this page provide an estimation of the performance that can be achieved with the model sizes shown. For precise sizing for your application, please contact your BEKO Technologies sales representative.

■ Technical Details

DRYPOINT® ACC Compact Heatless Desiccant Dryers

CLEARPOINT® pre-filtration included as standard with post-filter integrated in dryer

- › Standard pressure dew point: -40 °F
- › Optional pressure dew point: -100 °F
- › Standard intelligent power supply: 12 - 24 VDC/ 100 - 240 VAC; 50/60 Hz
- › Min. / max. air inlet temperature: 35 °F / 120 °F
- › Min. / max. ambient temperature: 41 °F / 120 °F
- › Min. / max. operating pressure: 58 / 232 psig



DRYPOINT® ACC	ACC 4	ACC 6	ACC 8	ACC 10	ACC 15	ACC 25
Capacity at -40° F (scfm)	4	6	8	10	15	25
Capacity at -100° F (scfm)	3	4	6	7	11	18
Connection Size	3/8"	3/8"	3/8"	3/8"	3/8"	3/8"

Dimensions and Weight

H x W x D (inches)	18 x 11 x 4	20 x 11 x 4	22 x 11 x 4	25 x 11 x 4	32 x 11 x 4	42 x 11 x 4
Weight (lbs)	29	31	33	36	43	53

DRYPOINT® ACC	ACC 35	ACC 45	ACC 55	ACC 65	ACC 85	ACC 105
Capacity at -40° F (scfm)	35	45	55	65	85	105
Capacity at -100° F (scfm)	25	32	39	46	60	74
Connection Size	3/8"	3/4"	3/4"	3/4"	1"	1"

Dimensions and Weight

H x W x D (inches)	58 x 11 x 4	28 x 11 x 7	32 x 21 x 7	36 x 21 x 7	44 x 21 x 7	56 x 21 x 7
Weight (lbs)	68	117	130	141	165	200

Correction Factor

Operating Pressure (psig)	60	70	80	90	100	110	120	130	140	150
Correction Factor	.65	.73	.82	.91	1.00	1.09	1.17	1.26	1.35	1.44

Inlet Air Temperature °F	80	85	90	95	100	105	110	115	120
Correction Factor	1.07	1.06	1.05	1.03	1.00	.94	.88	.78	.67

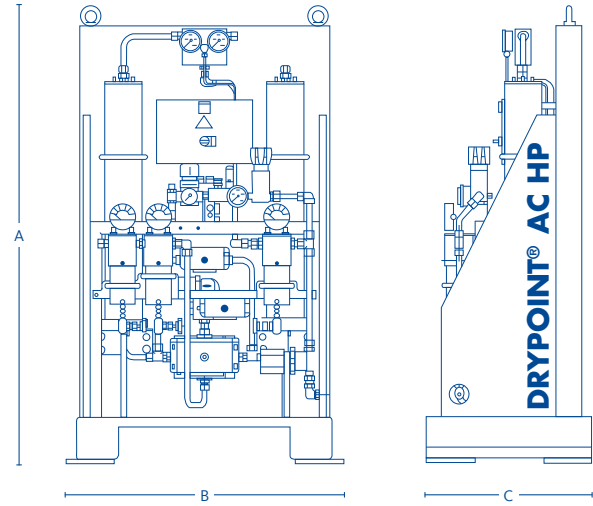
The correction factors on this page provide an estimation of the performance that can be achieved with the model sizes shown. For precise sizing for your application, please contact your BEKO Technologies sales representative.

Technical Details

DRYPOINT® AC HP Heatless High Pressure Desiccant Dryers

full stainless steel components with PLC controller

- › Standard pressure dew point: -40 °F
- › Optional outlet pressure dew point: -100 °F
- › Vessels and all components are stainless steel
- › Optional pressure approvals: on request
- › Shock and vibration proof systems: on request
- › External low pressure purge attachment: on request
- › Standard electrical power supply: 85 - 265 VAC; 24 Vdc; 50-60 Hz
- › Included pre-filtration grade SX: .01 µm
- › Optional pre-filtration grade FX: 1 µm
- › Included post-filtration grade FX: 1 µm
- › Min. / max. air inlet temperature: 40 °F / 130 °F



DRYPOINT® AC HP	AC 60 HP 100	AC 90 HP 100	AC 160 HP 100	AC 250 HP 100	AC 390 HP 100	AC 110 HP 250	AC 145 HP 250	AC 210 HP 250
Connection Size (NPT)	½"	½"	½"	½"	½"	½"	½"	½"
Flow Rate (scfm)	35	50	95	145	230	65	85	125
Max. pressure (psig)	1450	1450	1450	1450	1450	3600	3600	3600
Dimensions and Weight								
H x W x D (inches)	57 x 31 x 18	59 x 31 x 18	59 x 31 x 18	70 x 31 x 18	70 x 33 x 20	53 x 31 x 18	53 x 31 x 18	66 x 31 x 18
Weight (lbs)	350	350	400	550	570	460	485	540

DRYPOINT® AC HP	AC 440 HP 250	AC 655 HP 250	AC 145 HP 350	AC 190 HP 350	AC 265 HP 350	AC 540 HP 350	AC 820 HP 350
Connection size	½"	½"	½"	½"	½"	½"	½"
Flow rate (scfm)	260	385	85	110	155	315	480
Max. Pressure (psig)	3600	3600	5000	5000	5000	5000	5000
Dimensions and Weight							
H x W x D (inches)	66 x 31 x 18	70 x 33 x 20	53 x 31 x 18	53 x 31 x 18	66 x 31 x 18	66 x 31 x 18	70 x 33 x 20
Weight (lbs)	620	680	460	485	540	620	680

Correction Factor

Pressure (psig)	85°F	95°F	100°F	110°F	120°F	130°F
1,085 psig (AC HP 100)	.78	.76	.59	.46	.36	.29
1,450 psig (AC HP 100)	1.03	1.00	.78	.61	.48	.38

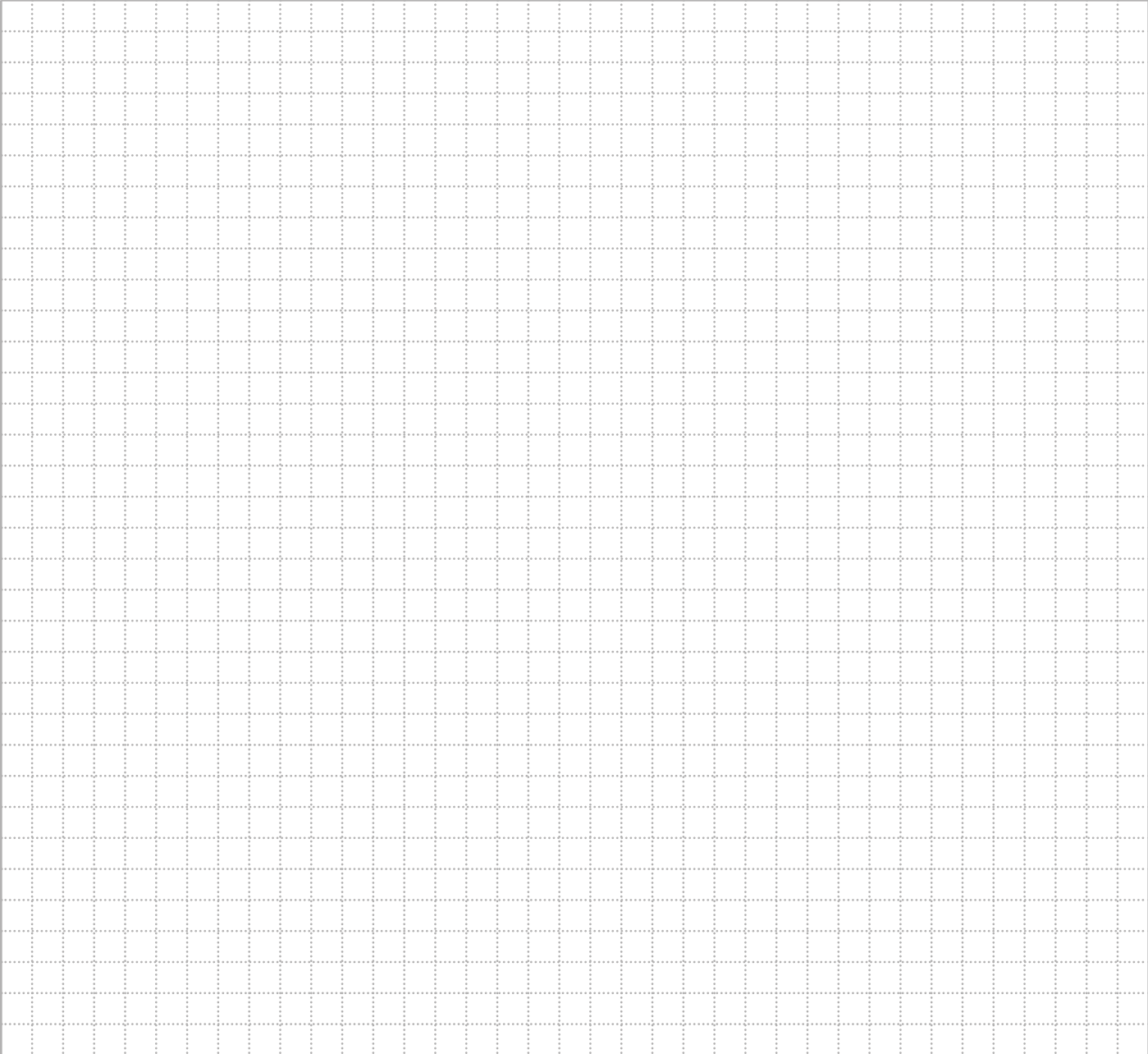
Pressure (psig)	85°F	95°F	100°F	110°F	120°F	130°F
2,900 psig (AC HP 250)	.86	.83	.65	.51	.40	.32
3,600 psig (AC HP 250)	1.03	1.00	.78	.61	.48	.38

Pressure (psig)	85°F	95°F	100°F	110°F	120°F	130°F
4,350 psig (AC HP 350)	.90	.90	.70	.54	.43	.34
5,000 psig (AC HP 350)	1.03	1.00	.78	.61	.48	.39

The correction factors on this page provide an estimation of the performance that can be achieved with the model sizes shown. Sizing must be done by a product specialist, please consult your BEKO Technologies representative.

Reliable | Efficient | Innovative

What can we do for you?



BEKO TECHNOLOGIES CORP.
900 Great Southwest Pkwy SW
Atlanta, GA 30336
USA
Phone +1 (404) 924-6900
Fax +1 (404) 629-6666
www.bekousa.com

